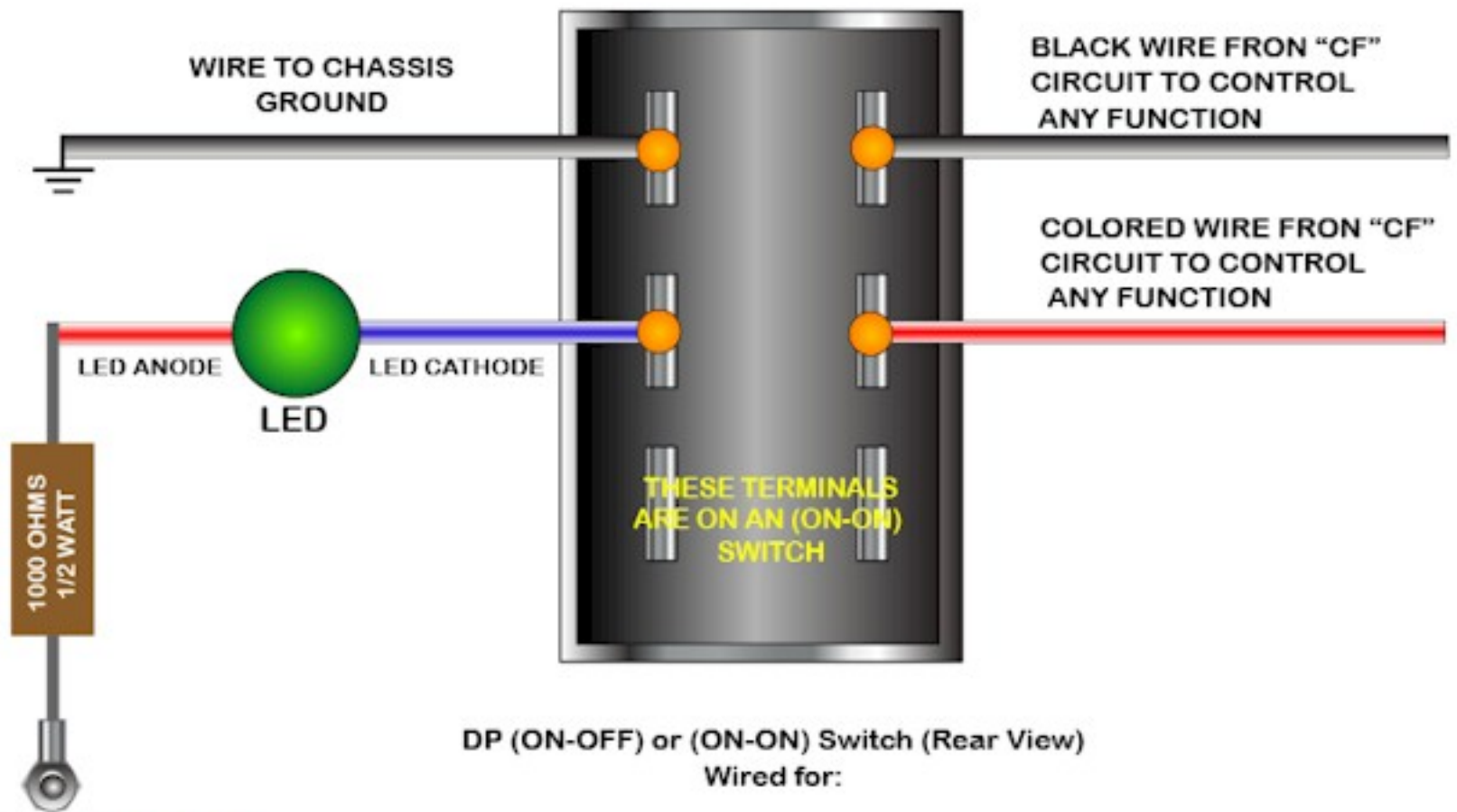


ANY FUNCTION WITH INDICATING STATE LED



DP (ON-OFF) or (ON-ON) Switch (Rear View)
Wired for:

Any Function with LED Indicating "ON" State

SWITCHED (+12 Volts)
ON when ignition switch
is ON

SWITCH POSITION - FUNCTION (SIDE VIEW)

