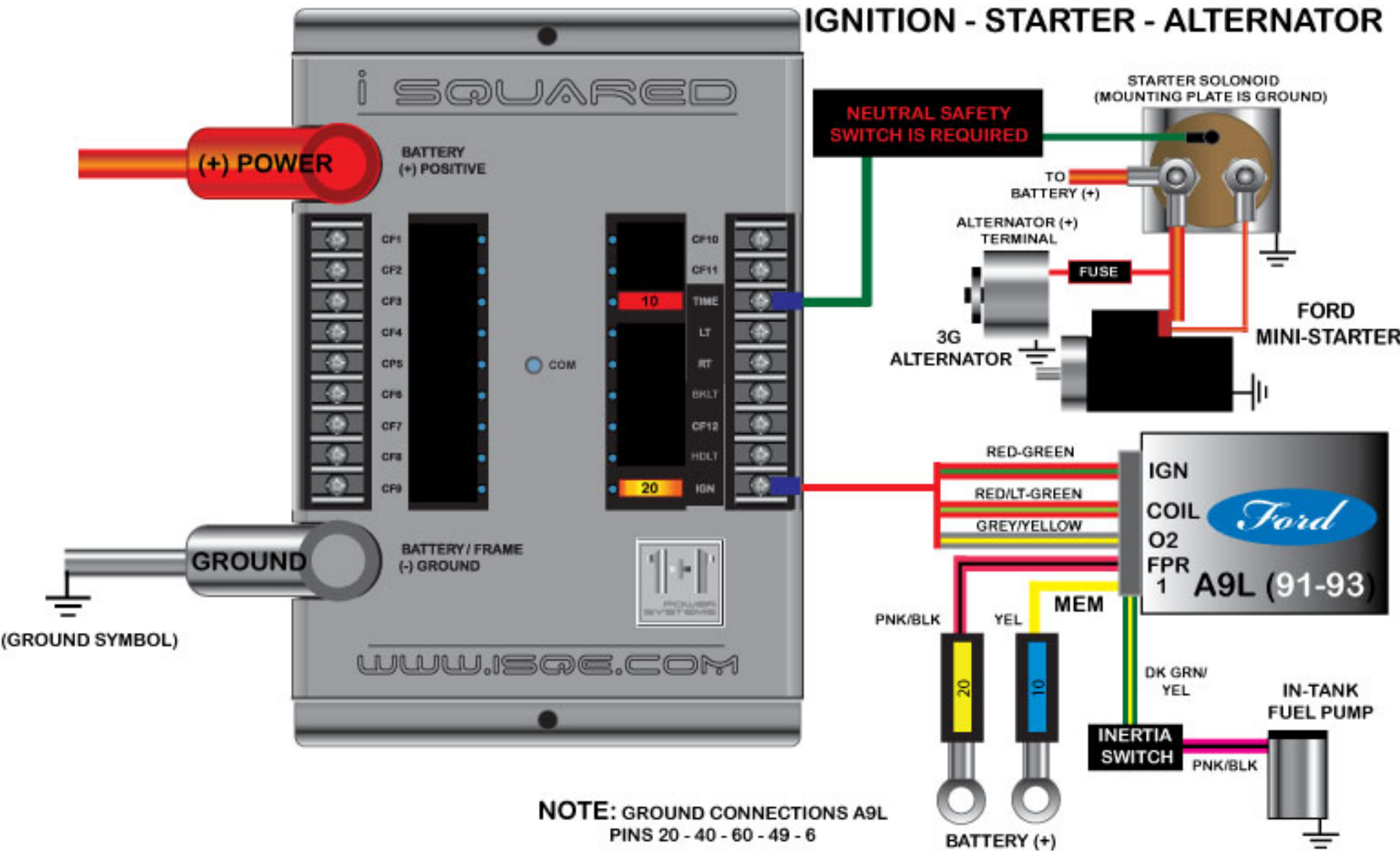


POWER CONTROLLER - Attaching Loads STEP 7- A9L



BE SURE THAT EACH LOAD IS PROPERLY GROUND TO THE CHASSIS OR METAL PORTION OF BODY