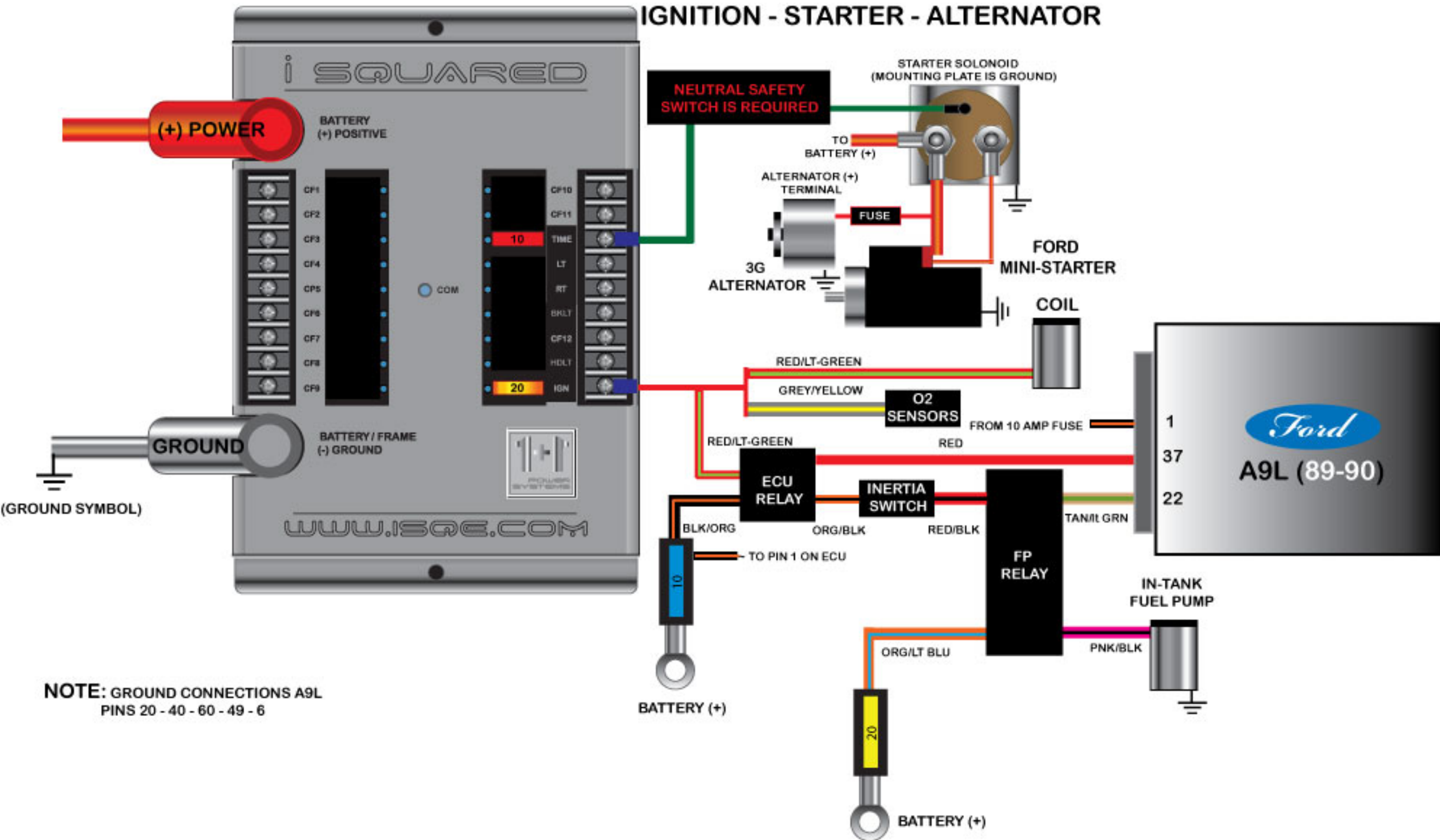


POWER CONTROLLER - Attaching Loads STEP 7 - A9L

IGNITION - STARTER - ALTERNATOR



BE SURE THAT EACH LOAD IS PROPERLY GROUNDDED TO THE CHASSIS OR METAL PORTION OF BODY