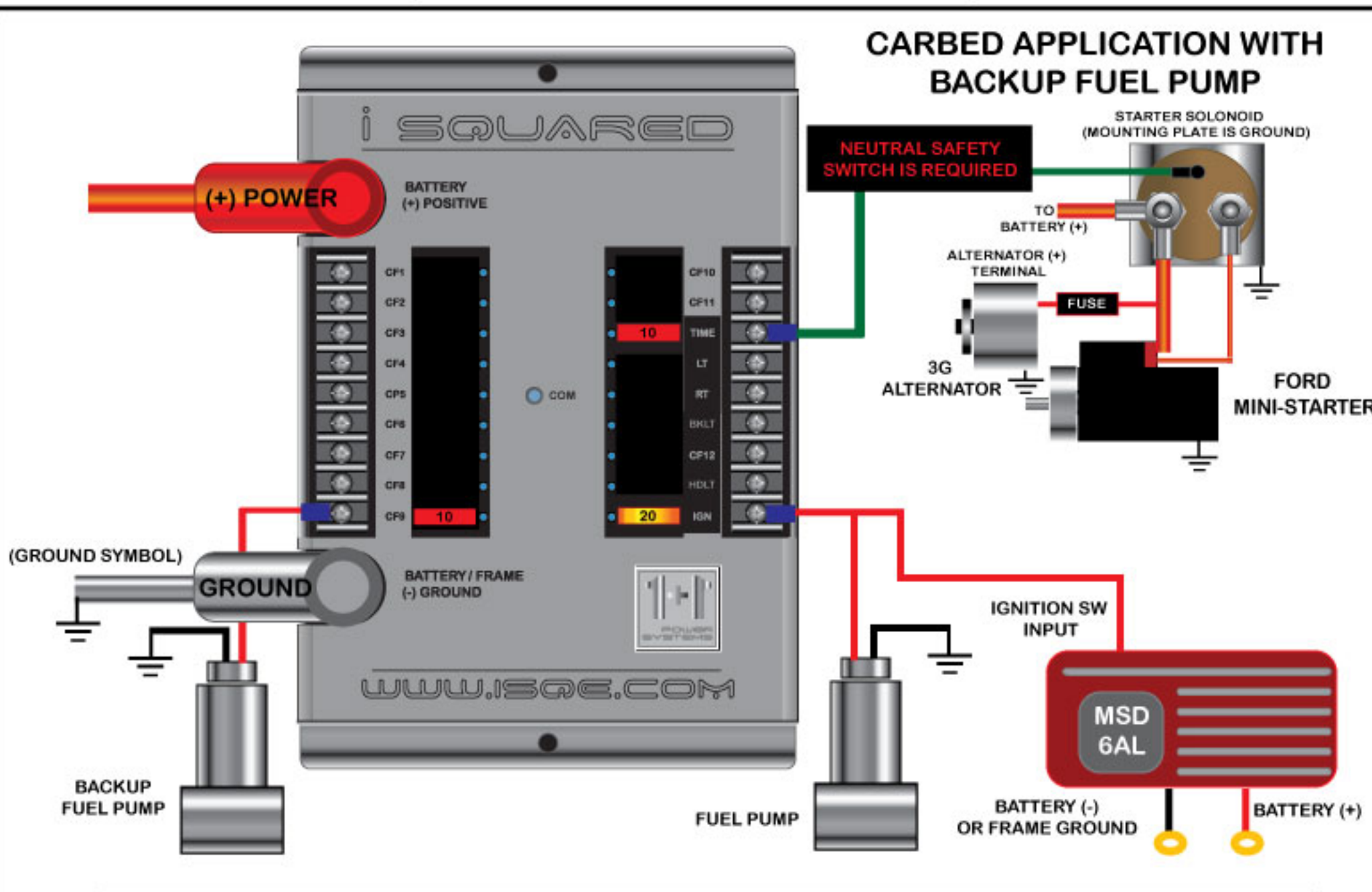


# POWER CONTROLLER - Attaching Loads STEP 7 (MSD)



**BE SURE THAT EACH LOAD IS PROPERLY GROUNDED TO THE CHASSIS OR METAL PORTION OF BODY**