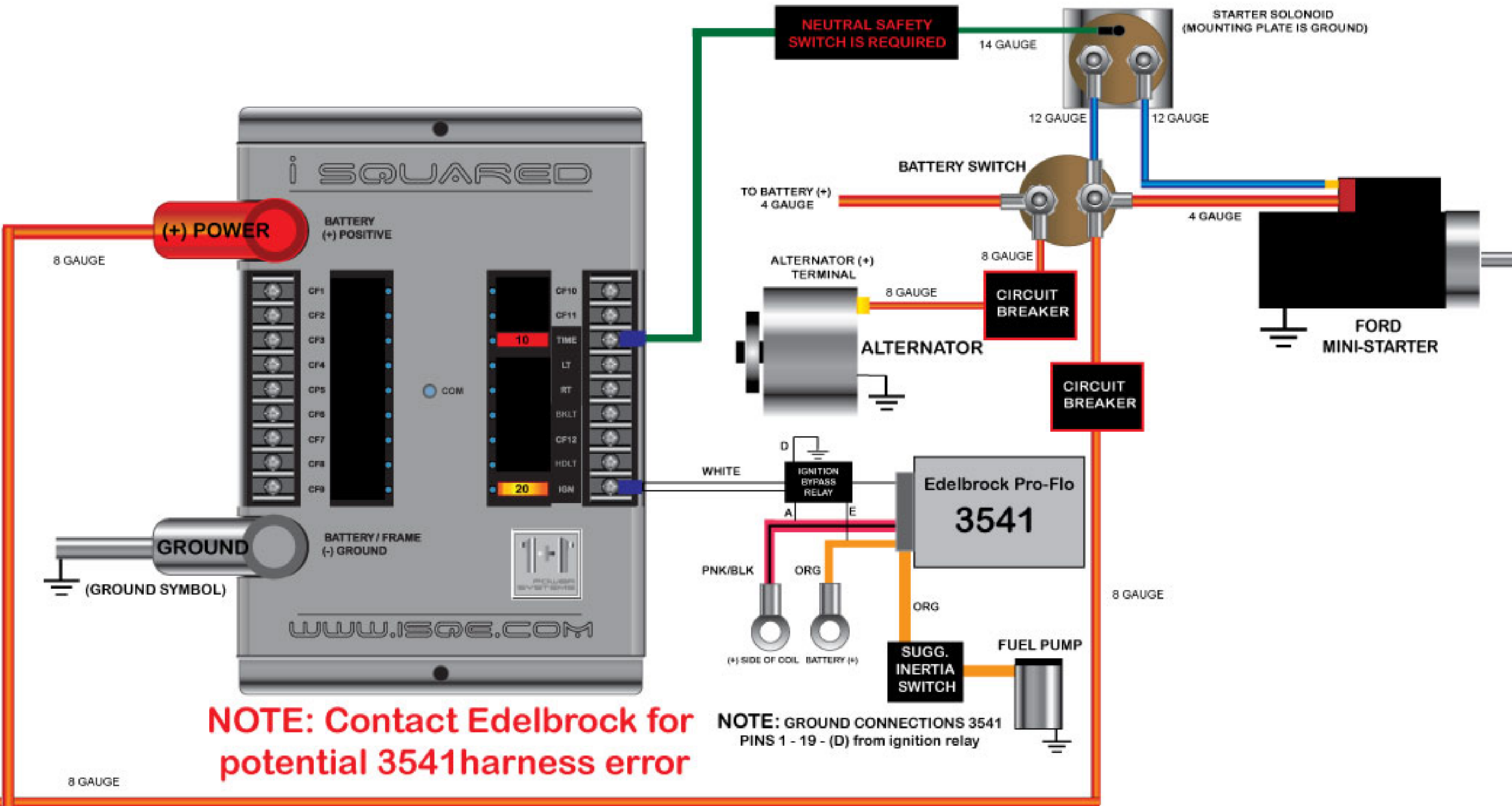


Edelbrock 3541 Pro-Flo Fuel Injection System

IGNITION - STARTER - ALTERNATOR - BATTERY SWITCH



BE SURE THAT EACH LOAD IS PROPERLY GROUNDED TO THE CHASSIS OR METAL PORTION OF BODY