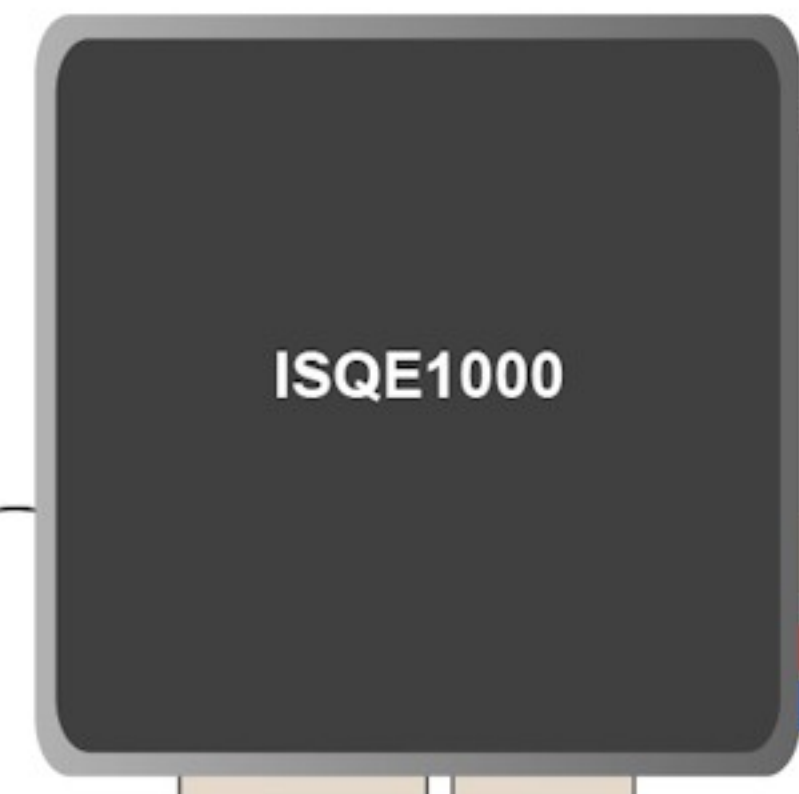
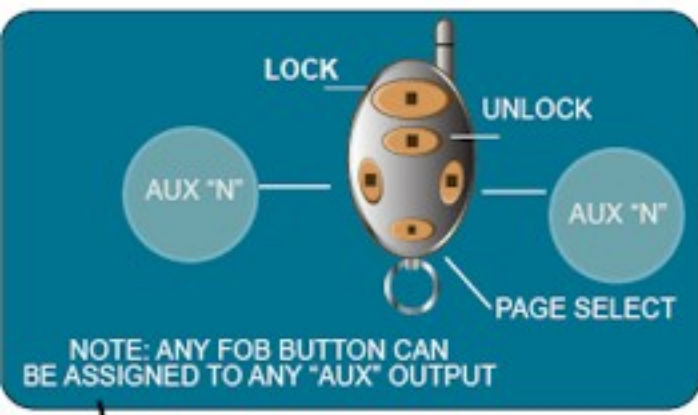
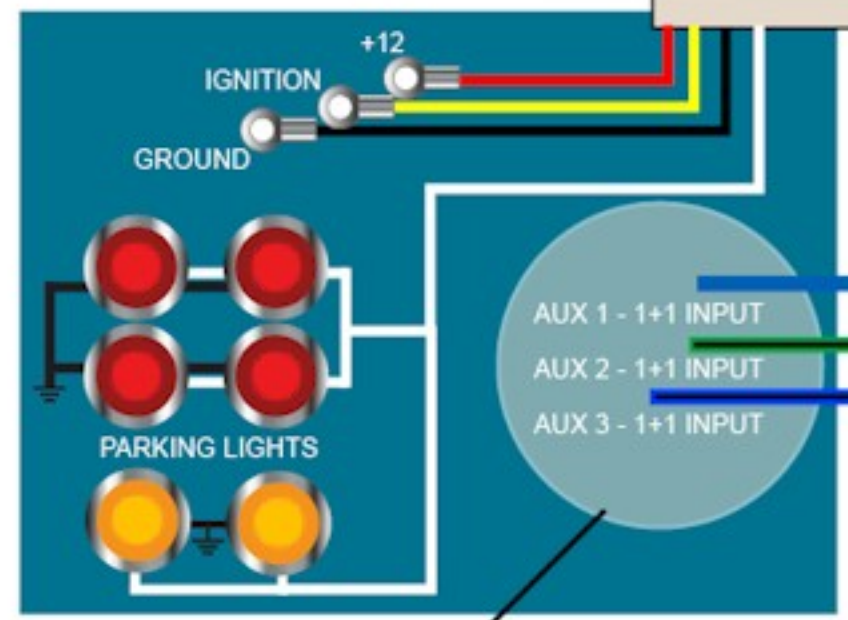
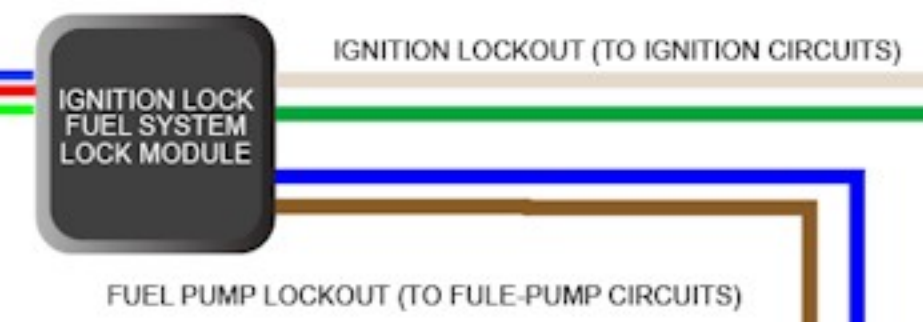


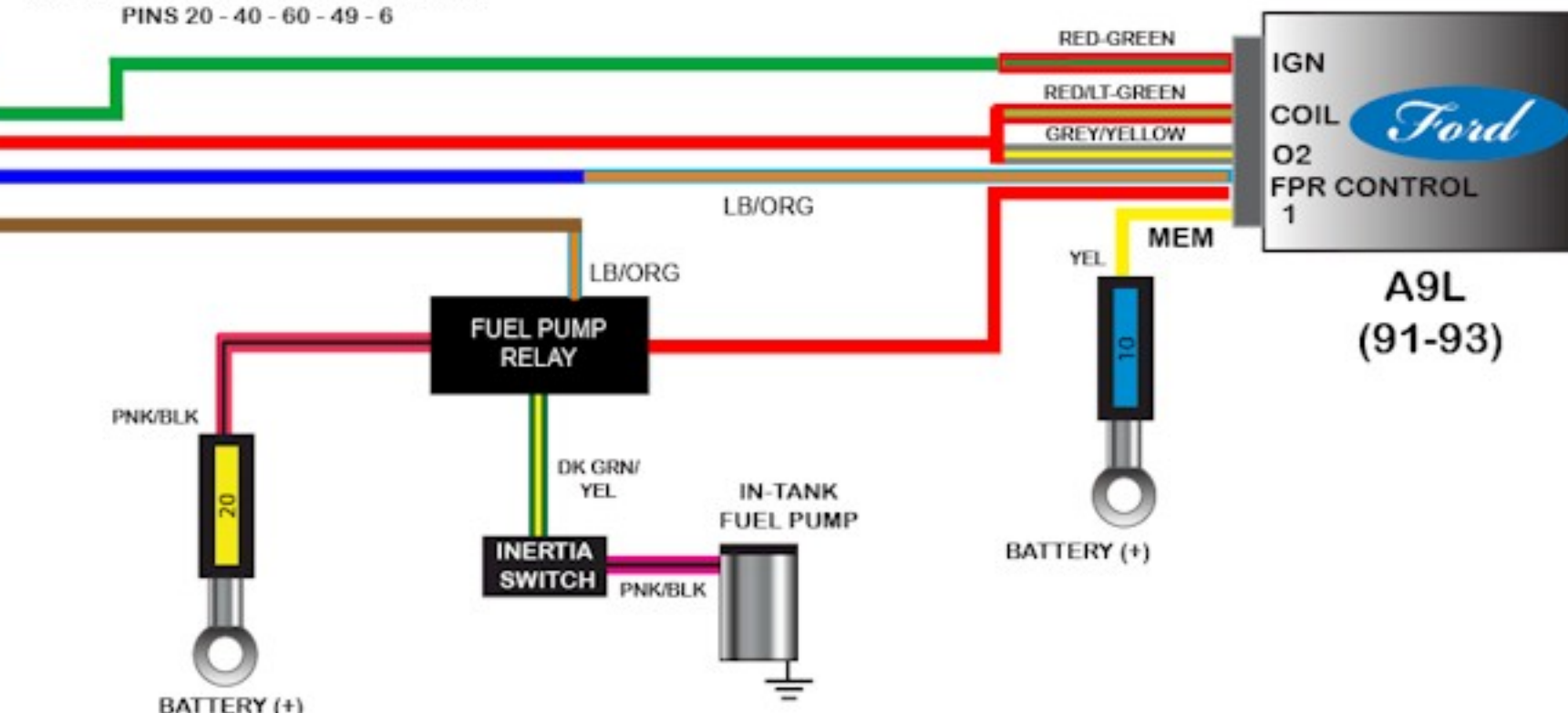
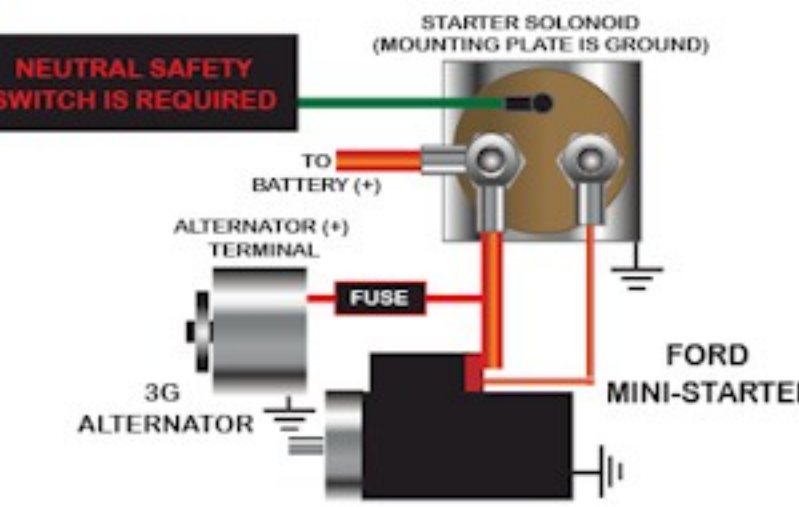
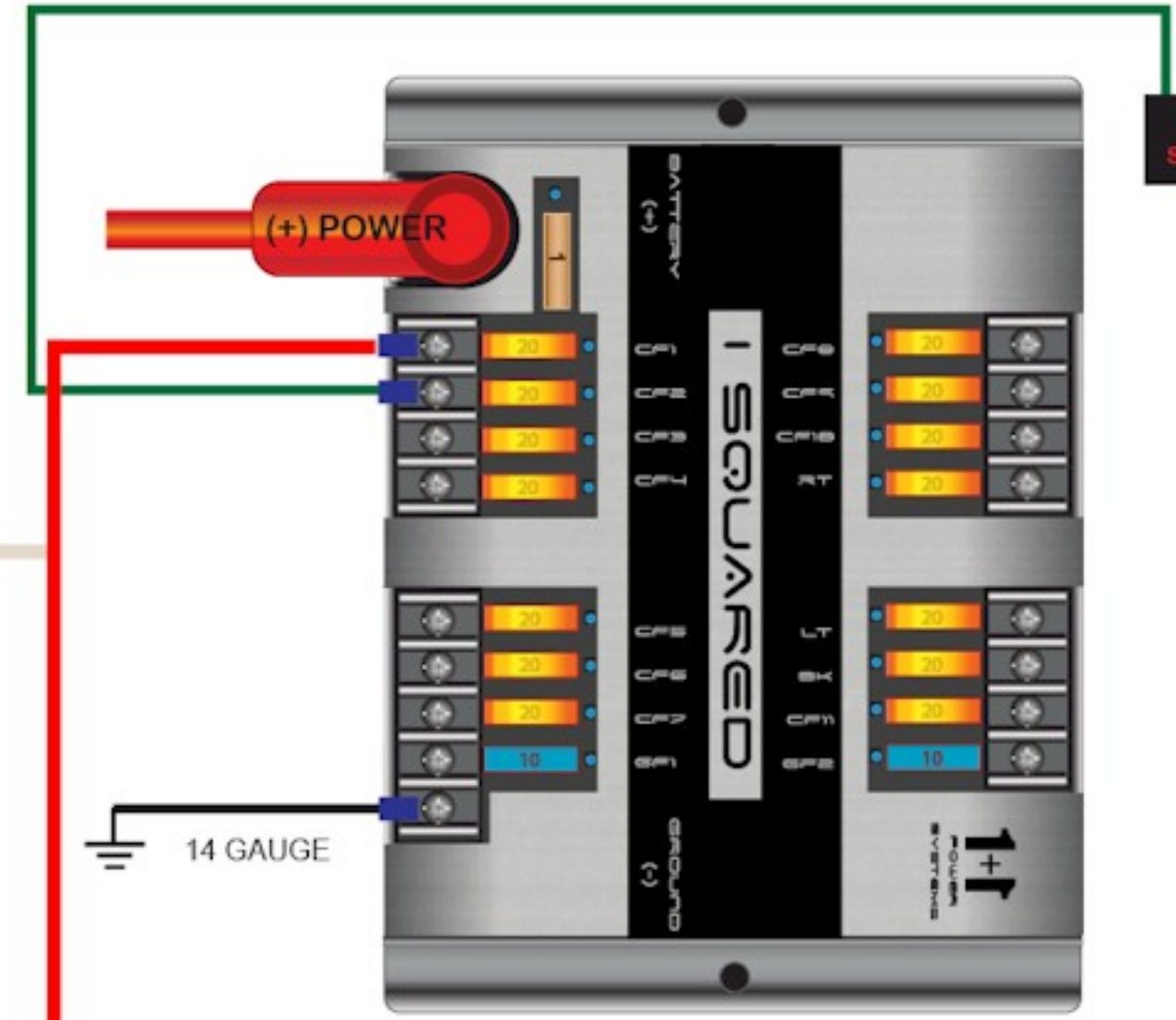
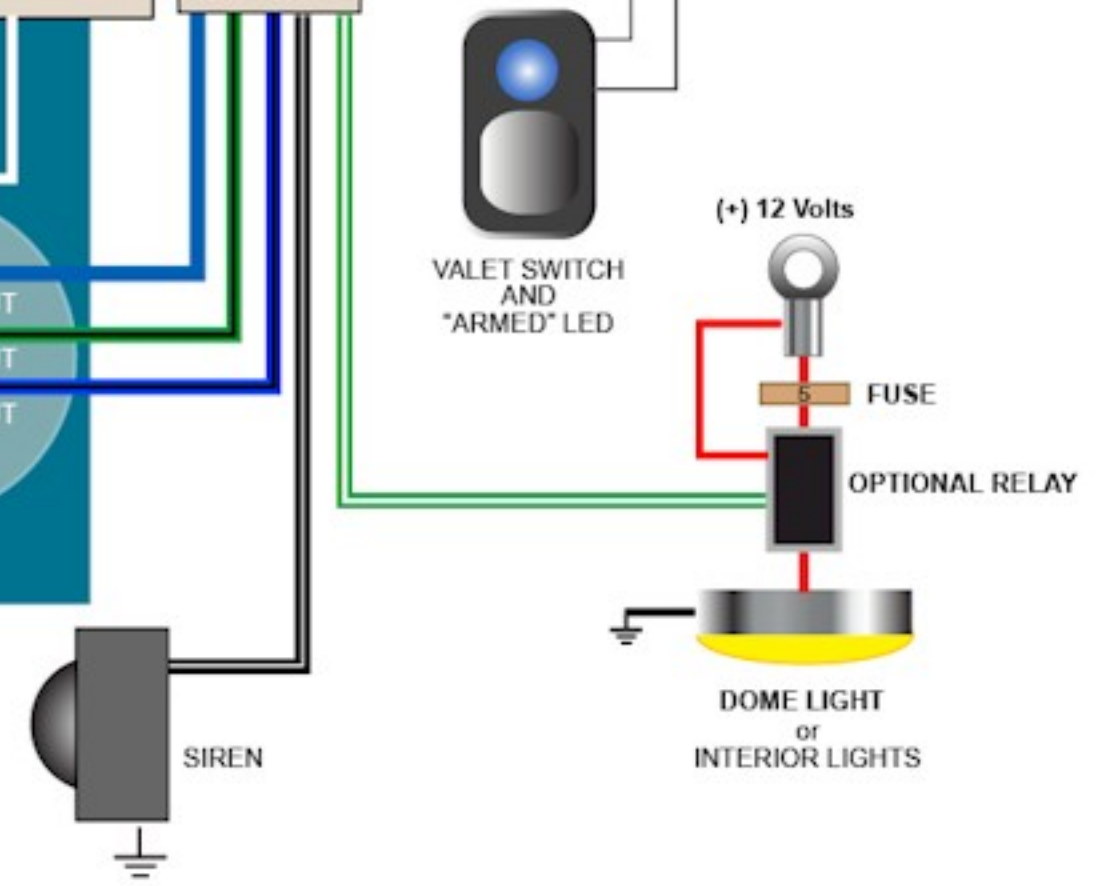
# ISQE1000 INSTALLATION WITH FORD A9L EFI SYSTEM



NOTE: LOCKOUT FUNCTIONS FOLLOW LOCK/UNLOCK FUNCTION ON KEY-FOB



NOTE: EACH AUX OUTPUT CAN BE TIMED - MOMENTARY - TOGGLE INPUT TO 1+1 MOSFET OR RELAY BASED SYSTEM



A9L (91-93)