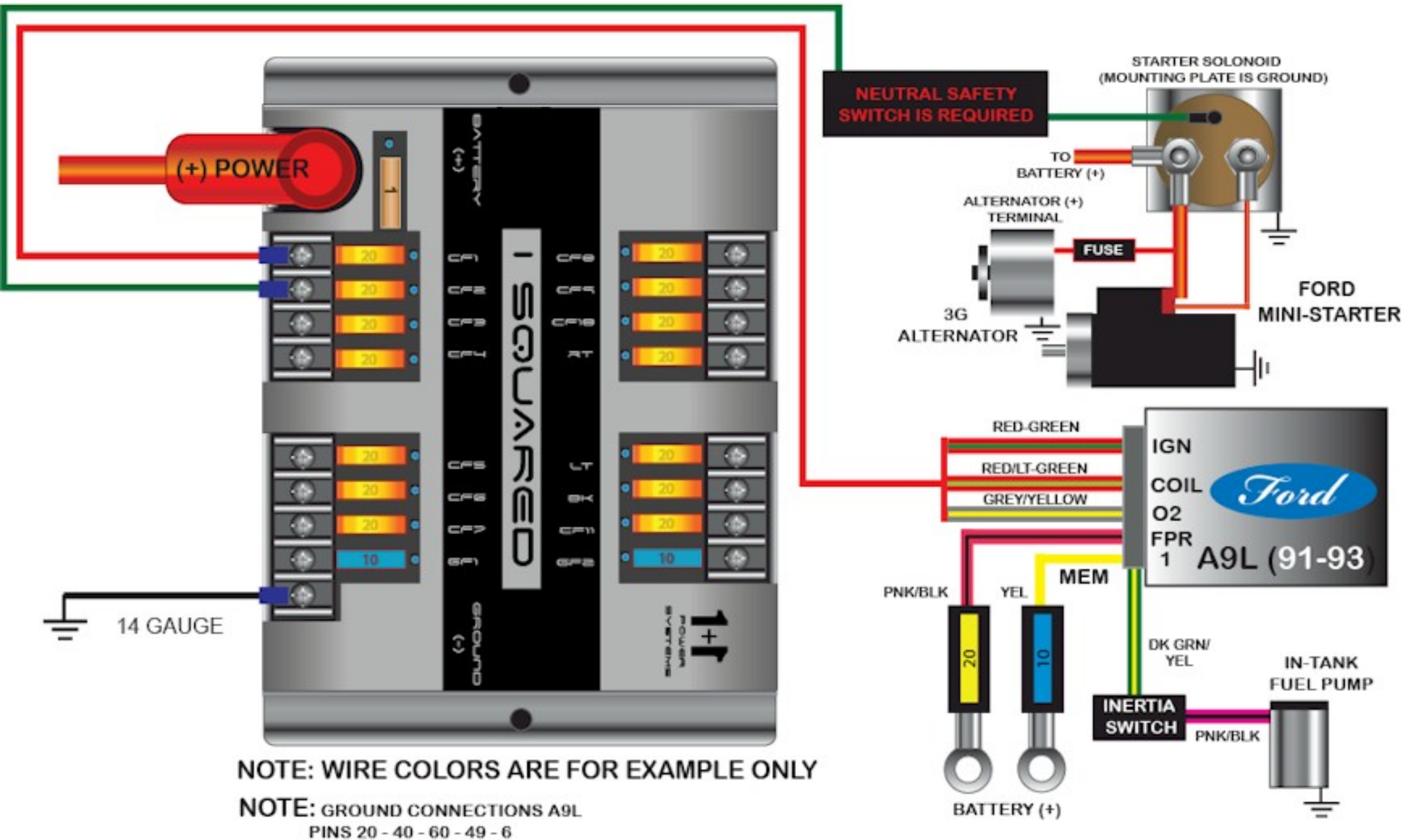


1+1 Million System - Attaching Loads

A9L - IGNITION - STARTER - ALTERNATOR



NOTE: WIRE COLORS ARE FOR EXAMPLE ONLY

NOTE: GROUND CONNECTIONS A9L
PINS 20 - 40 - 60 - 49 - 6

BE SURE THAT EACH LOAD IS PROPERLY GROUNDED TO
THE CHASSIS OR METAL PORTION OF BODY