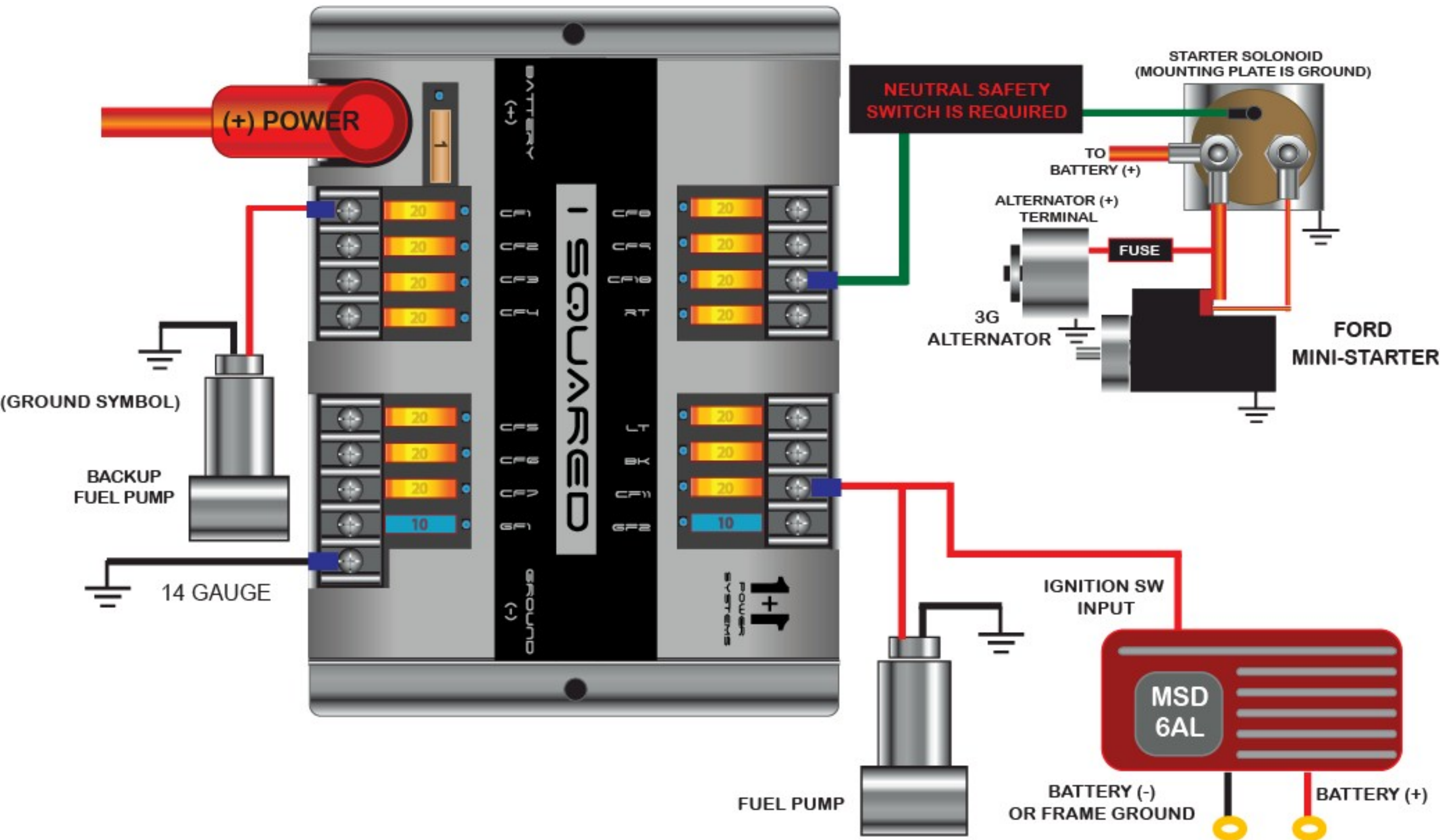


# 1+1 Million System - Attaching Loads (MSD)

## CARBED APPLICATION WITH BACKUP FUEL PUMP



BE SURE THAT EACH LOAD IS PROPERLY GROUNDED TO  
THE CHASSIS OR METAL PORTION OF BODY