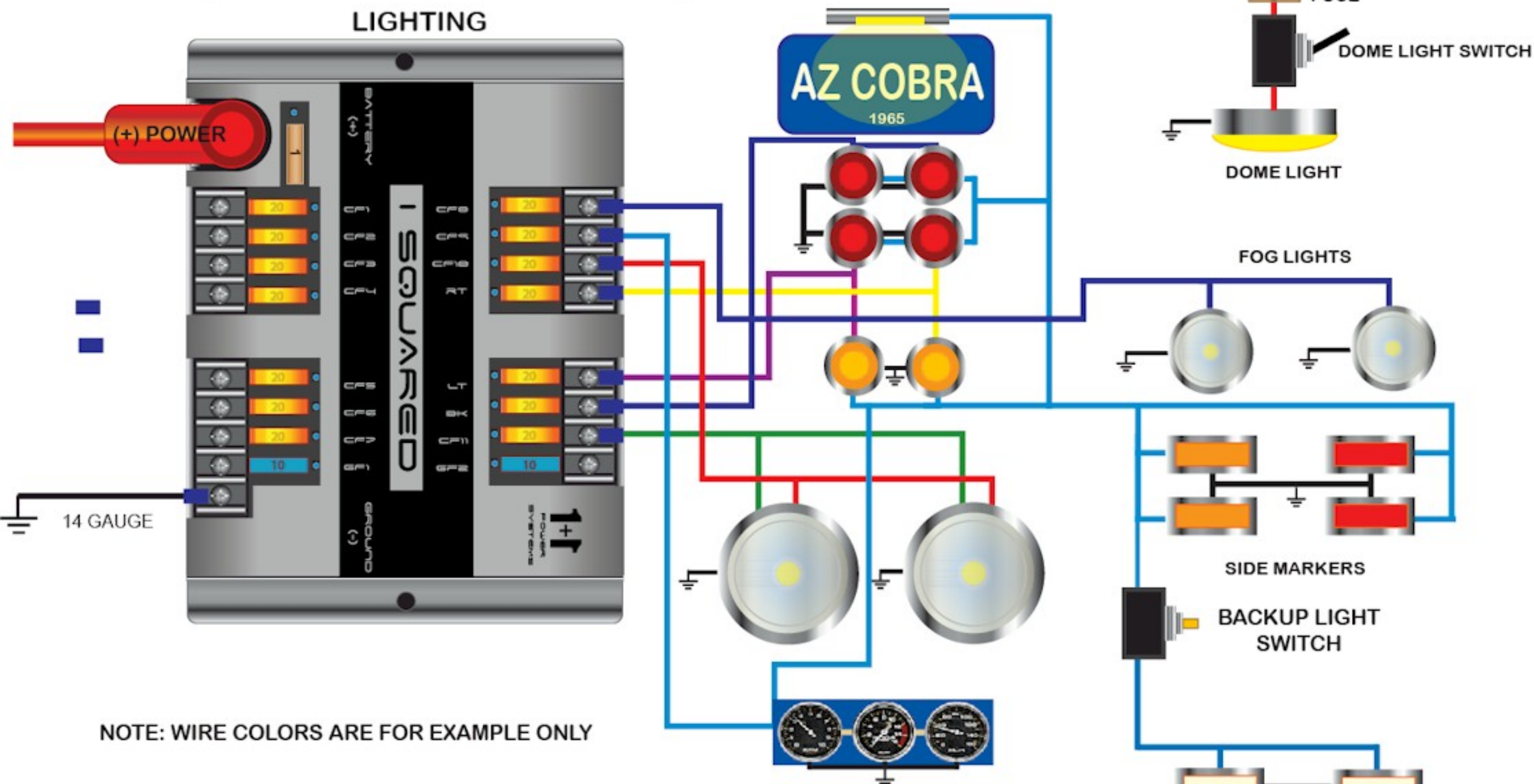


# 1+1 Million System - Attaching Loads



NOTE: WIRE COLORS ARE FOR EXAMPLE ONLY

BE SURE THAT EACH LOAD IS PROPERLY GROUNDED TO THE CHASSIS OR METAL PORTION OF BODY