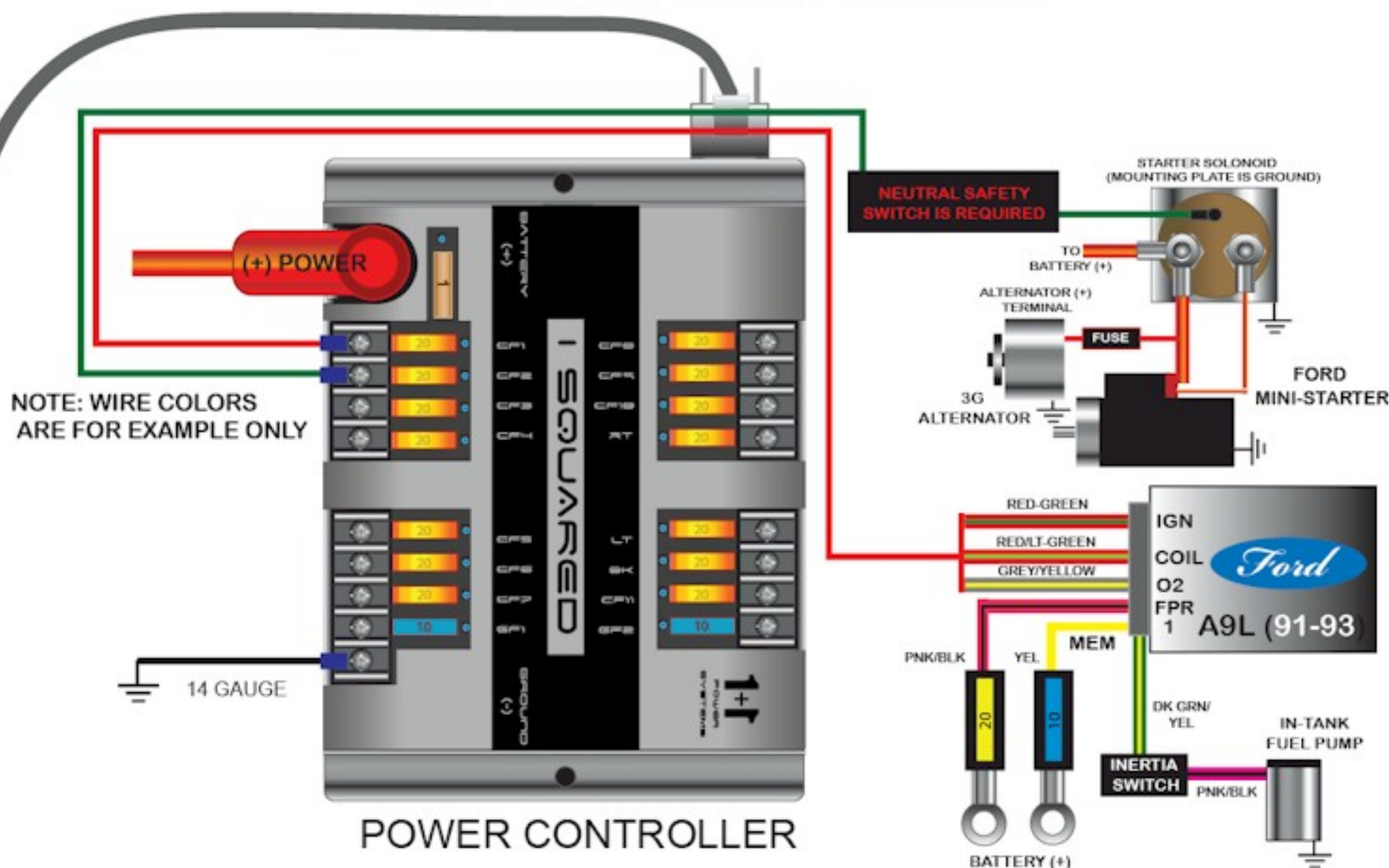
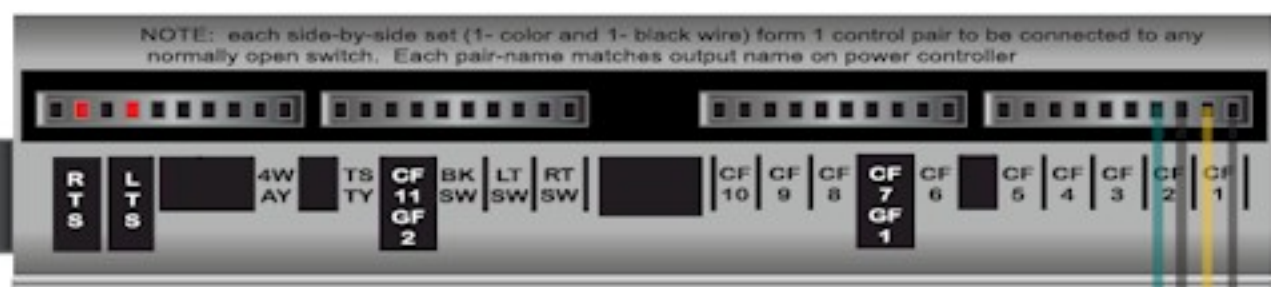


1+1 Million System - Attaching Loads

A9L - IGNITION - STARTER - ALTERNATOR



NOTE: GROUND CONNECTIONS A9L PINS 20 - 40 - 60 - 49 - 6



MASTER CONTROLLER

