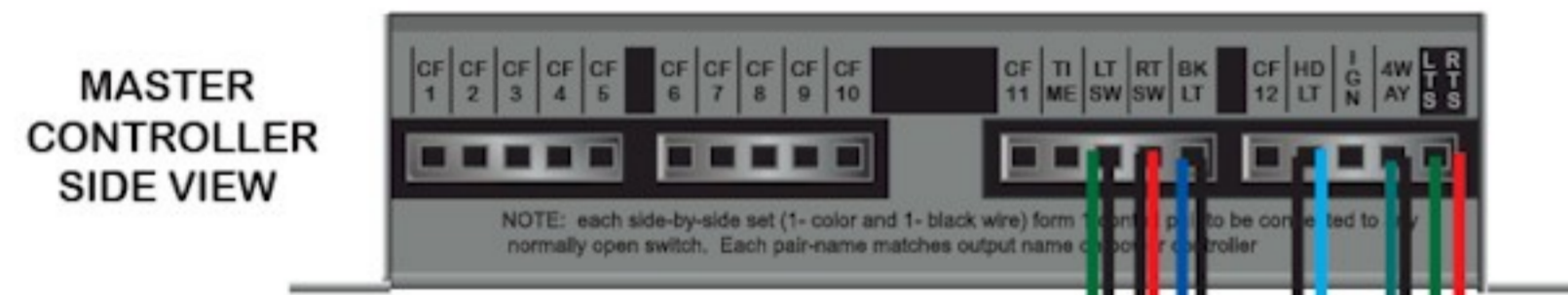
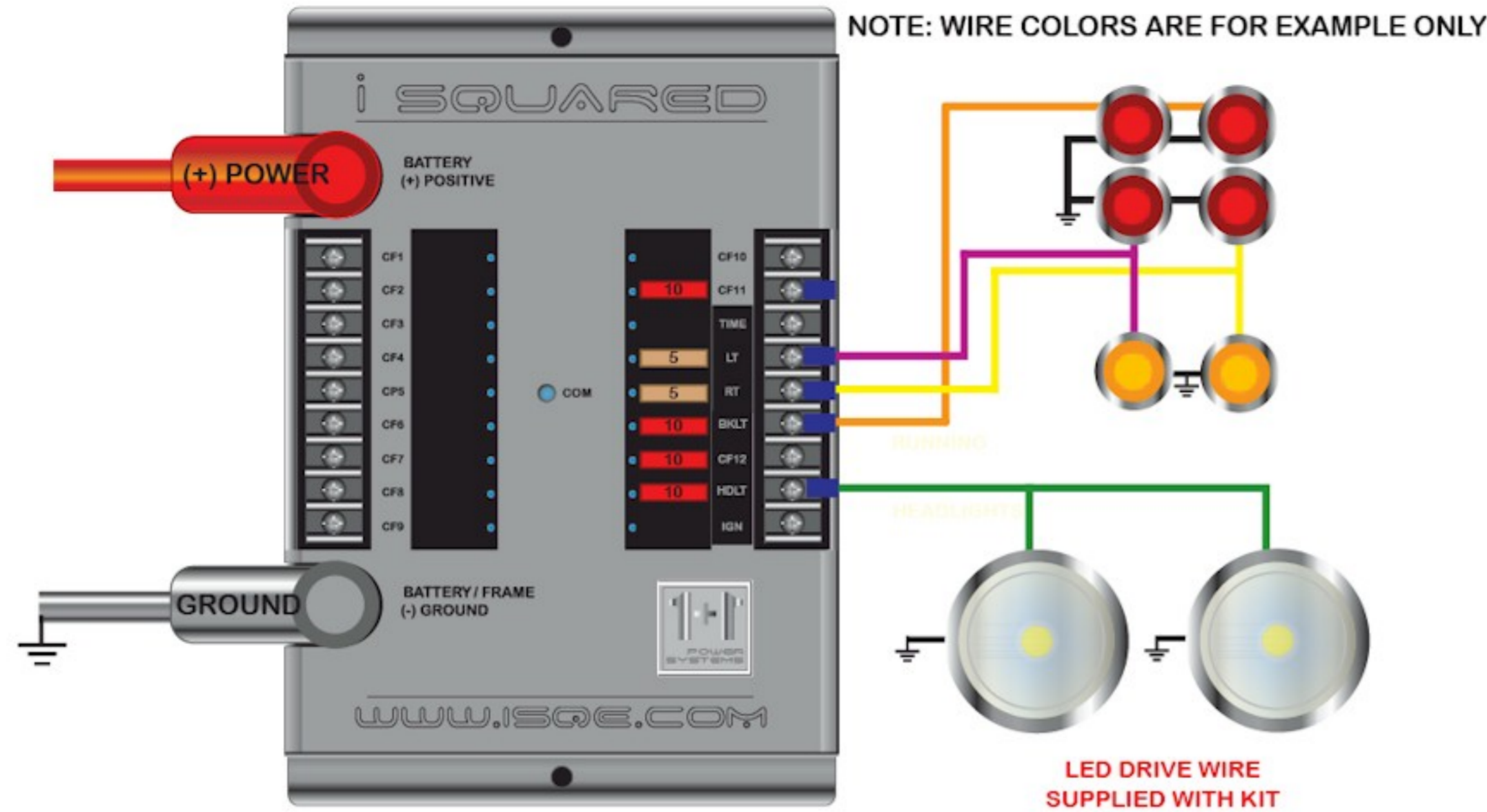


Turn Signals - Brake Light - 4 Way Flashers



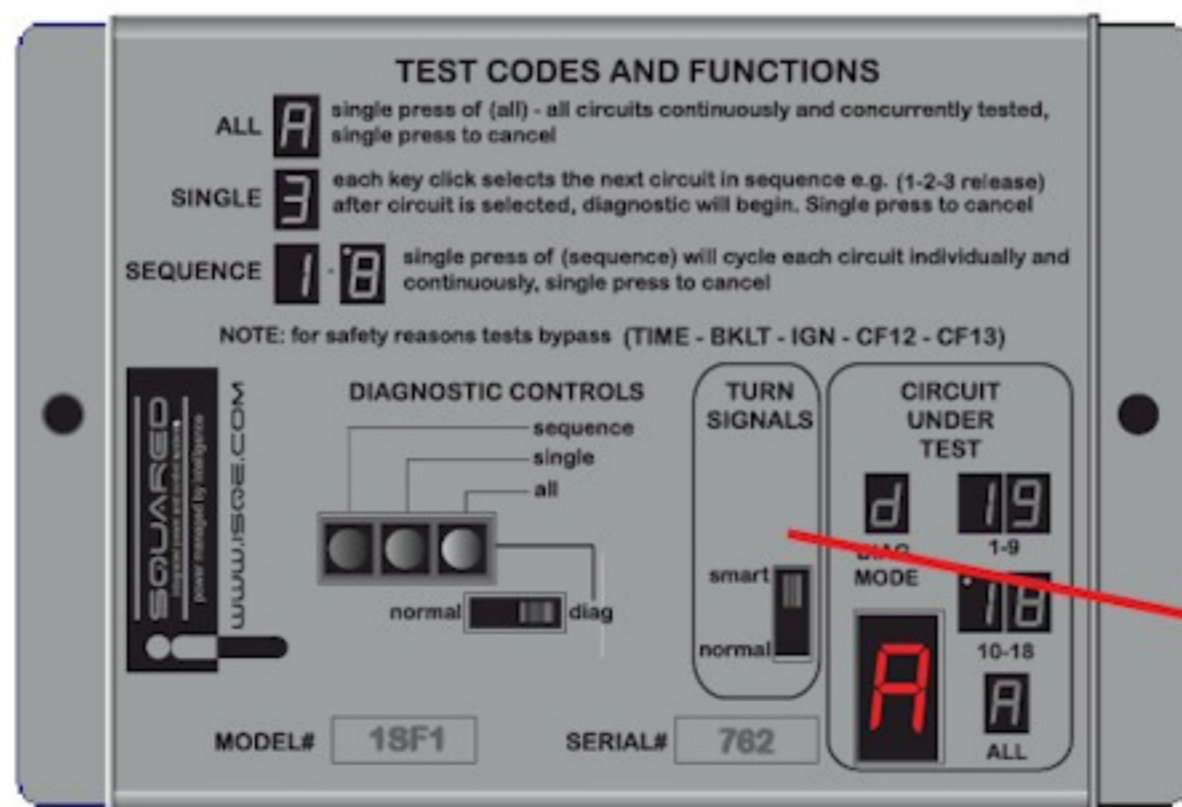
TURN SIGNAL SWITCH (ON-OFF-ON) TOGGLE TYPE OR VW TYPE

STALK MOUNTED "FLASH" or HORN SWITCH

BRAKE LIGHT SWITCH

4-WAY

NOTE: LED TURN SIGNALS MUST BE "DAYLIGHT BRIGHT" LEDs



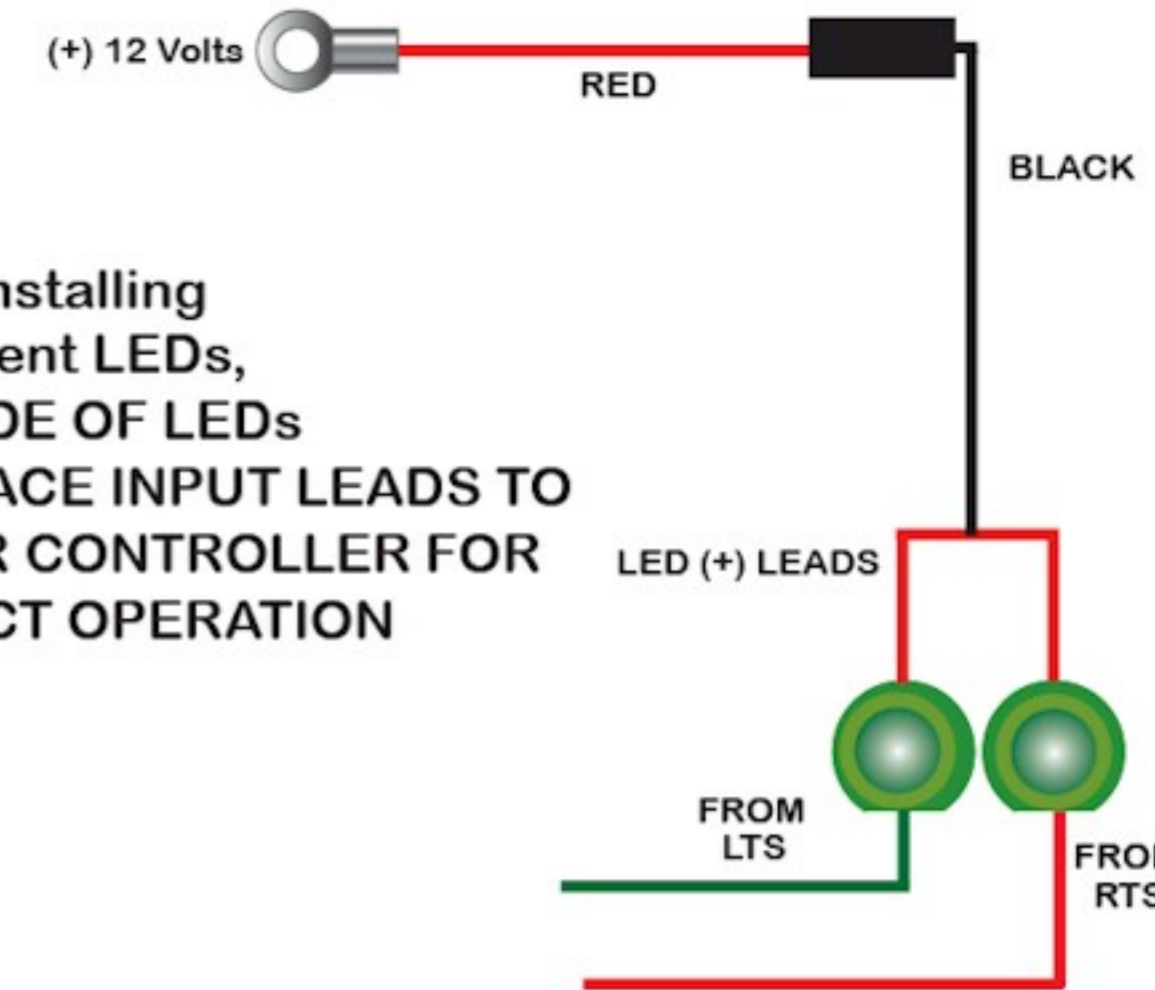
MASTER CONTROLLER REAR VIEW

NOTE: Select Smart-Flash for turn signal switch that does NOT self-cancel or Normal Flash for turn signal switch that mechanically self-cancels

BE SURE THAT EACH LOAD IS PROPERLY GROUNDED TO THE CHASSIS OR METAL PORTION OF BODY

TURN SIGNAL ALTERNATIVE CIRCUITS

TRADITIONAL



SINGLE TURN INDICATOR

