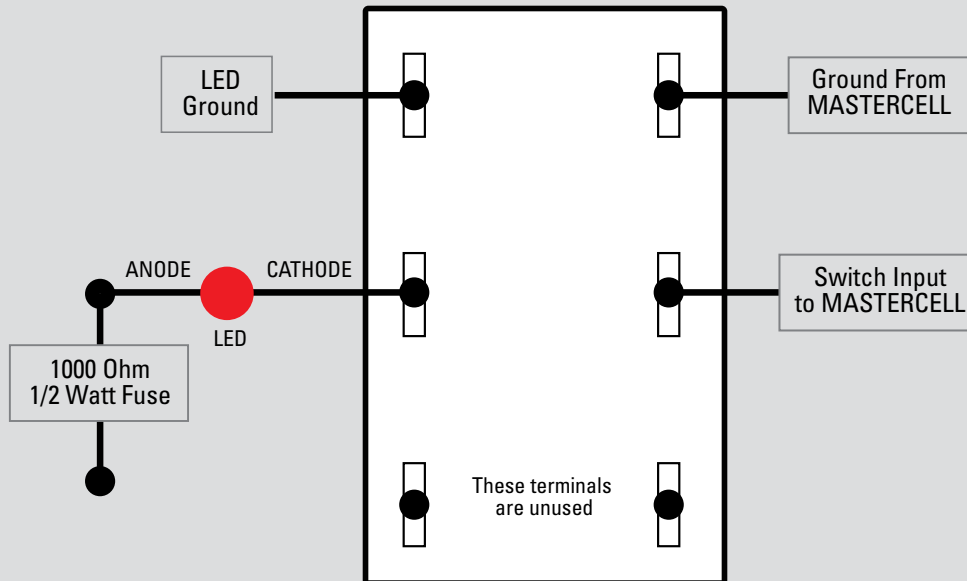


# Installation Instructions for Any Function with Indicating State LED

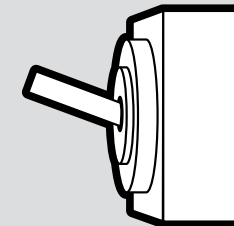
Indicates that the switch is ON, not the load.

If wanted when load is energized, connect the LED as an output on the POWERCELL.  
Call our Helpline for Programming Options

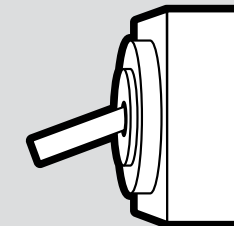
## Rear View of Switch



## Switch Position-Function (side view)



Load is OFF



Load and LED are ON