

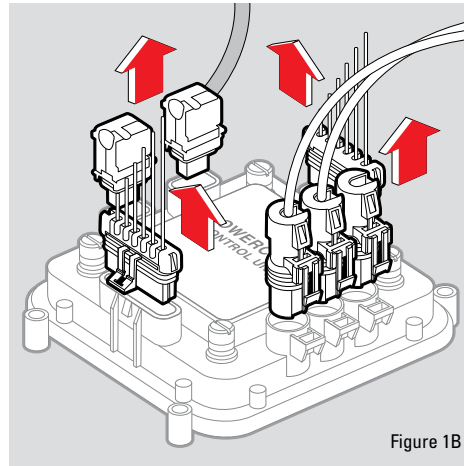
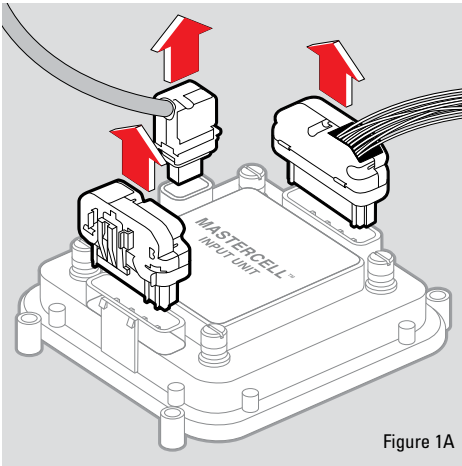
PROGRAMMING MASTERCELL™ OR POWERCELL™ UNITS

STEP 1

DISCONNECTING MASTERCELL™ OR POWERCELL™ UNIT

Unplug all connections to the MASTERCELL™ (1A) or POWERCELL™ unit (1B) as shown in the diagrams below.

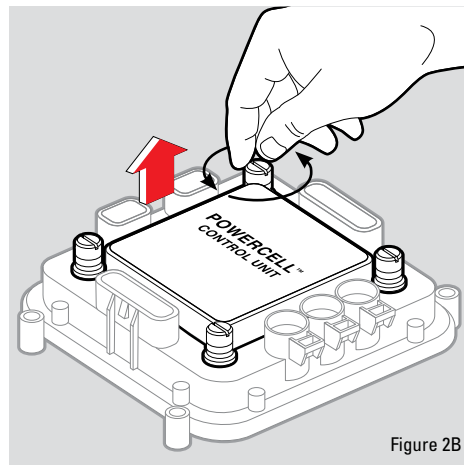
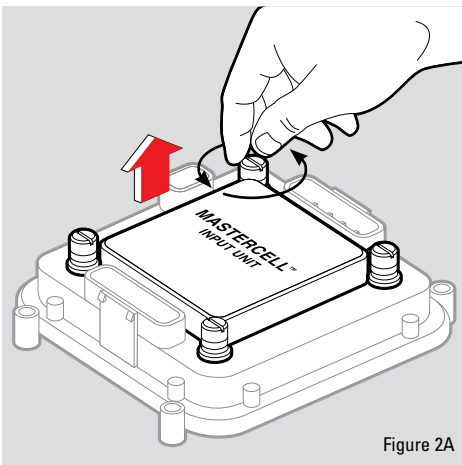
Proceed to step 2.



STEP 2

COVER REMOVAL

Remove the clear cover of the MASTERCELL™ (2A) or POWERCELL™ unit (2B) by using your fingers and thumb, turning the screws in a counter clockwise motion. Lift off the clear cover once all screws are removed.



PROGRAMMING MASTERCELL™ OR POWERCELL™ UNITS

STEP 3A

CONNECTING PROGRAM HEADER – FIRST GENERATION

Plug the programming header (A) into the MASTERCELL™ (Figure 3A) or POWERCELL™ unit (Figure 3B) to be programmed. Ensure that the pin names on the header match up with those on the circuit board. There should be one free hole on each side of the programming header when connected.



NOTE: When programming the POWERCELL™ control unit, take special care in making sure that the pin names on the programming header and the circuit board are aligned. See figure 3B for detailed diagram.

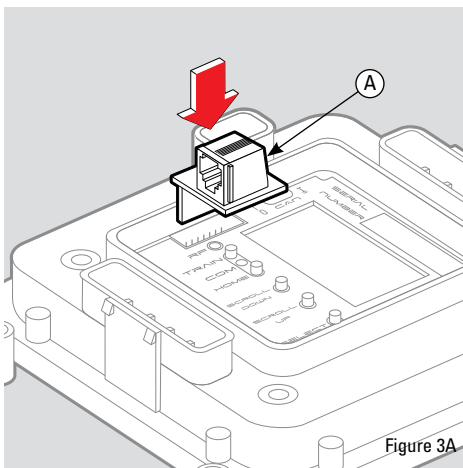


Figure 3A

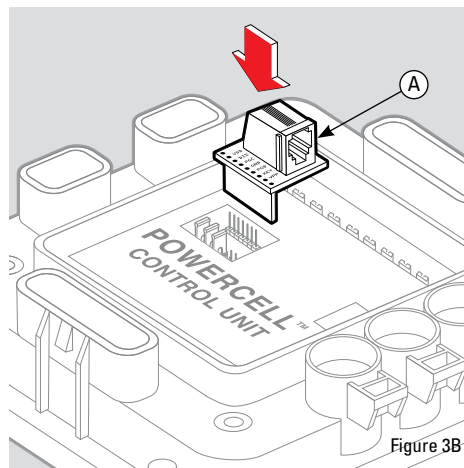


Figure 3B

STEP 3B

CONNECTING PROGRAM HEADER – SECOND GENERATION

Plug the programming header (A) into the programming receptacle (B) in the MASTERCELL™ or POWERCELL™ unit to be programmed. The header and receptacle are keyed to ensure proper fit and should snap into place once connected.

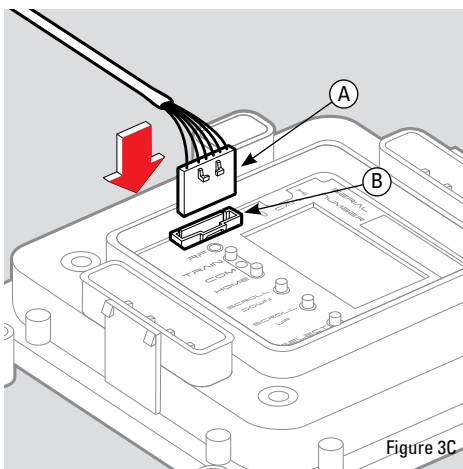


Figure 3C

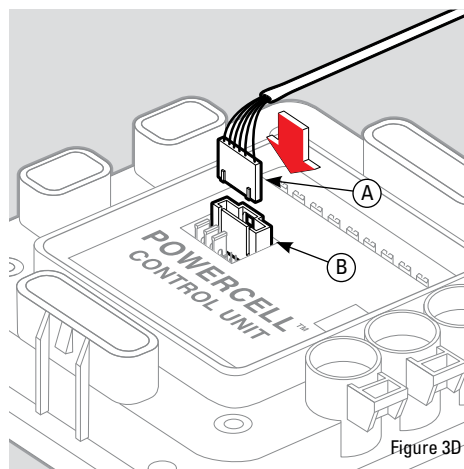


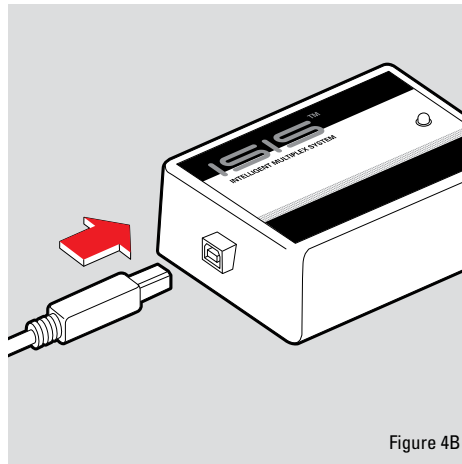
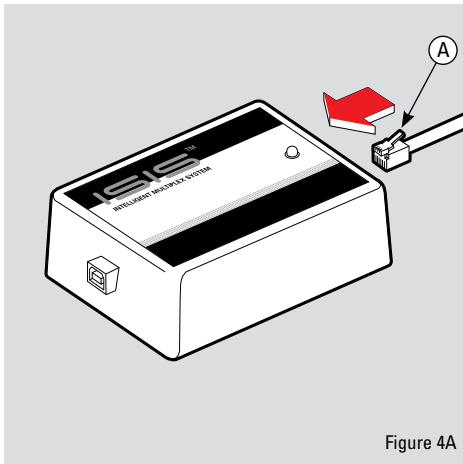
Figure 3D

PROGRAMMING MASTERCELL™ OR POWERCELL™ UNITS

STEP 4

CONNECTING USB CABLE AND RJ11 (TELEPHONE CONNECTOR) LINE

Insert one end of the RJ12 connector (A) into the programming module and the other end into the MASTERCELL/
POWERCELL programming header (shown in steps 3A and 3B). Next, plug the USB cable into the programmer and then
your computer. You are ready to begin the programming process.



STEP 5

Open ISIS inCODE™ from either your desktop or start menu. If updates are needed you will be prompted and should
accept the download for full functionality of your inCODE™ program.

STEP 6

Save programming file in an easily located place.

PROGRAMMING MASTERCELL™ OR POWERCELL™ UNITS

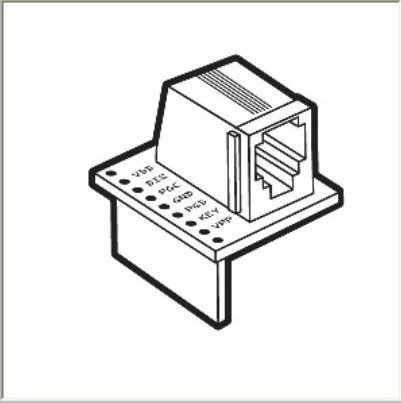
STEP 7

Choose the appropriate programming header and also choose whether you will be programming the MASTERCELL™ or POWERCELL™. Then follow the prompts.

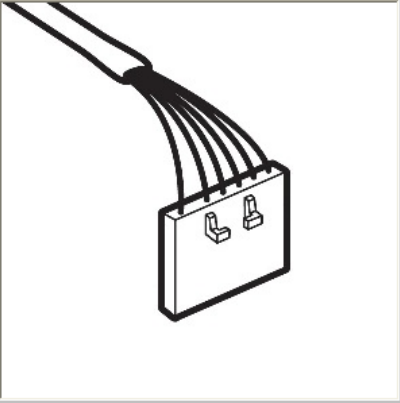
Select Cell to Program

Please select your programmer header type below.

First Generation Second Generation



Header Connector



Header Connector

Please click on the button for the cell type to program.

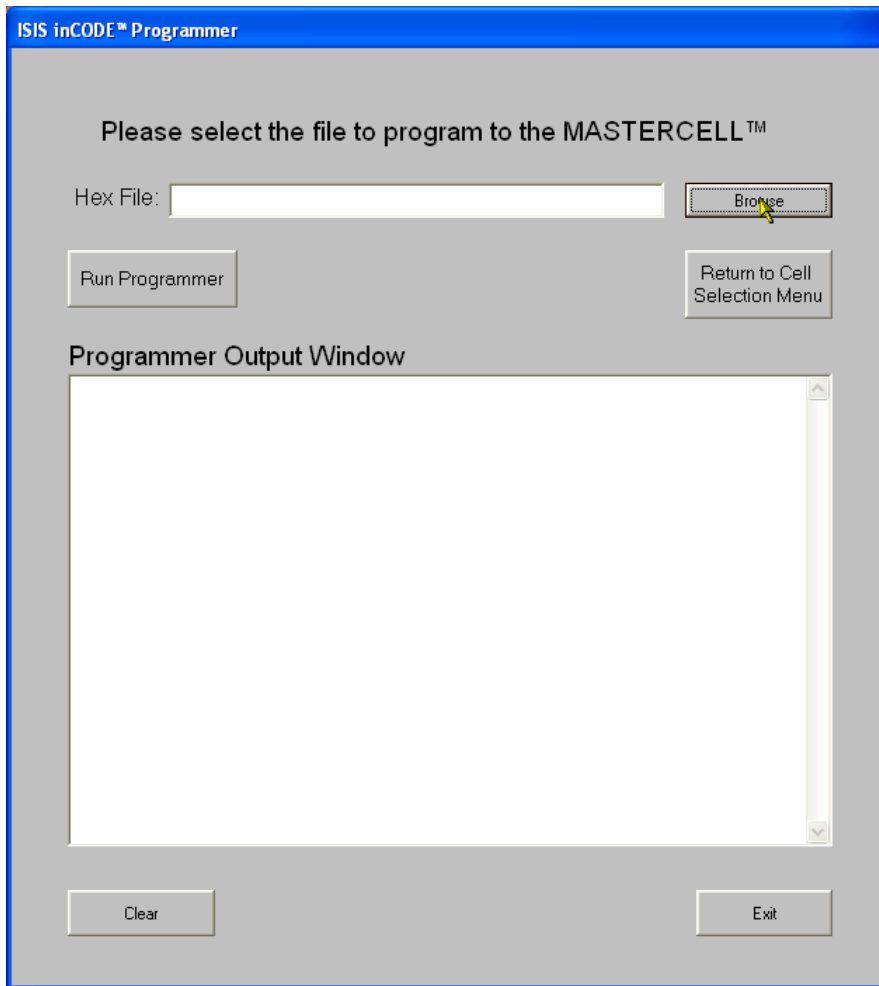
PROGRAMMING MASTERCELLTM OR POWERCELLTM UNITS

STEP 8

THE PROGRAMMING SHOULD THEN OCCUR AS FOLLOWS

Click browse and locate the .hex programming file that you wish to use. Then click run programmer.

If at this point you realize that you have made a mistake in selecting what you want to program, simply press Return to Cell Selection Menu.



STEP 9

CLOSE WINDOW AND UNPLUG CONNECTIONS

After desired programming is completed, close program and disconnect programmer from MASTERCELLTM or POWERCELLTM.

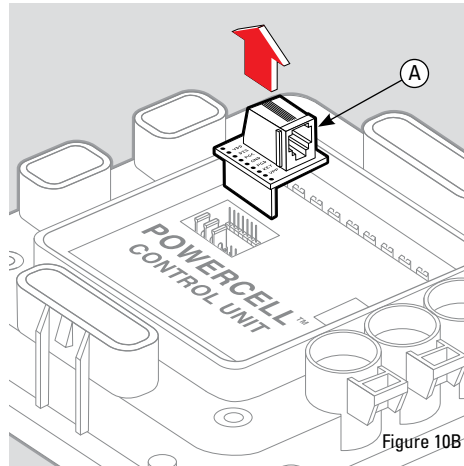
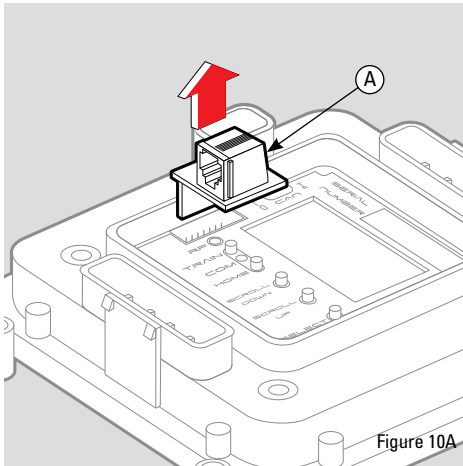
PROGRAMMING MASTERCELL™ OR POWERCELL™ UNITS

STEP 10A

DISCONNECTING PROGRAM HEADER – FIRST GENERATION

Unplug the programming header (A) from the MASTERCELL™ (Figure 10A) or POWERCELL™ unit (Figure 10B).

Proceed to step 11.

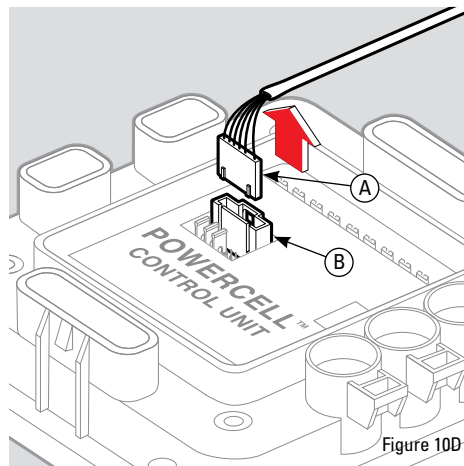
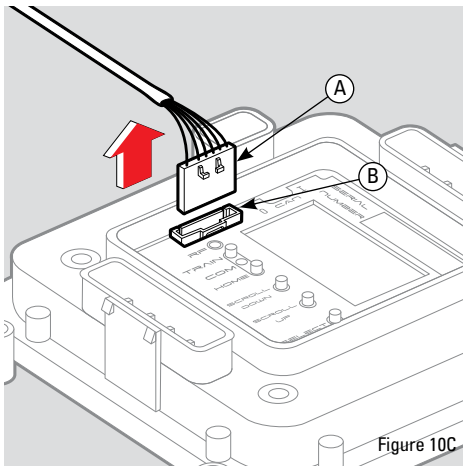


STEP 10B

DISCONNECTING PROGRAM HEADER – SECOND GENERATION

Unplug the programming header (A) from the programming receptacle (B) in the MASTERCELL™ or POWERCELL™ unit.

Proceed to step 11.



PROGRAMMING MASTERCELL™ OR POWERCELL™ UNITS

STEP 11

COVER INSTALLATION

Place the clear cover for the MASTERCELL™ (10A) or POWERCELL™ unit (10B) back into its proper place and secure the cover using your fingers and thumb to tighten the screws.



- Replace cover and hand tighten only.
- Do not use screw driver or mechanical tools.
- Over tightening can cause plastic casing to crack, voiding warranty.

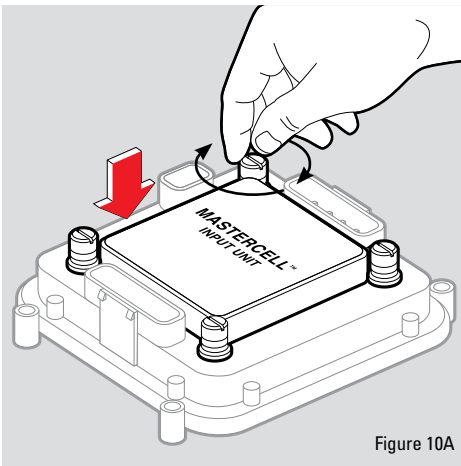


Figure 10A

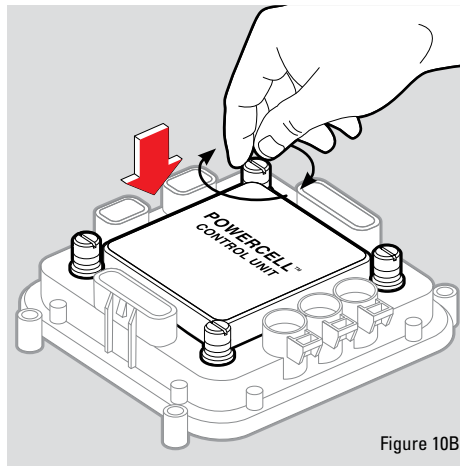


Figure 10B

STEP 12

MASTERCELL™ UNIT CONNECTION

Plug all connectors back into their proper location as shown below. MASTERCELL™ (11A) or POWERCELL™ unit (11B)

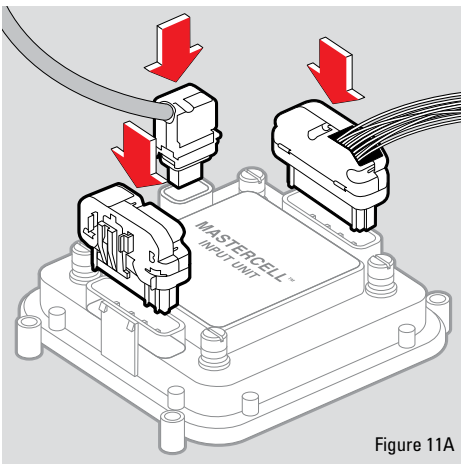


Figure 11A

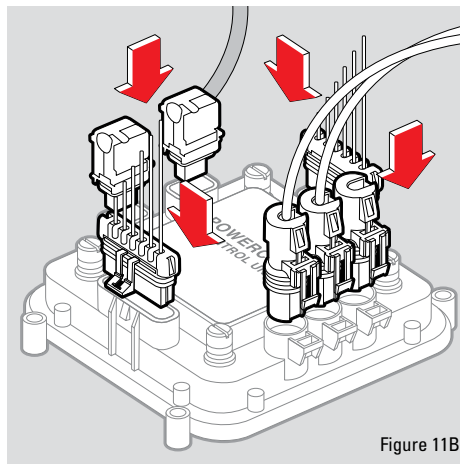


Figure 11B